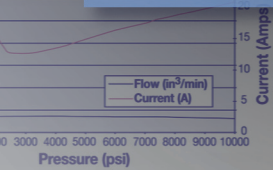


ENERPAC 

ZG5/ZG6 Gas Hydraulic Pumps



Flow vs. Pressure ZU4



Z Tough.
Dependable.
Innovative.
ZCLASS

High-pressure pumps designed specifically for tough construction applications.

▼ Shown from left to right: ZG6440MX-BCFH, ZG5420MX-B



Z Tough.
Dependable.
Innovative.
CLASS

- Features Z-Class high efficiency pump design, higher oil flow and bypass pressure
- Two-speed operation reduces cycle time for improved productivity
- Full sight oil level glass on all reservoirs allow quick and easy oil level monitoring
- Sturdy wheeled cart for ZG6 allows transport over uneven terrain and features collapsible handles for easy storage
- Dual forced air heat exchangers on ZG6 stabilizes hydraulic oil temperature
- ZG5 is available in two 4-cycle engine sizes: 5.5 hp Honda® and 6.5 hp Briggs & Stratton®
- ZG6 has Briggs & Stratton 13 hp engine with electric start, pressurized oil and 16-amp charge output for accessories



User Adjustable Relief Valve

All VM-Series directional valves have a user adjustable relief valve to allow the operator to easily set the optimum working pressure.



High Pressure Hoses

Enerpac offers a complete line of high quality hydraulic hoses. To ensure the integrity of your system, specify only genuine Enerpac hydraulic hoses.

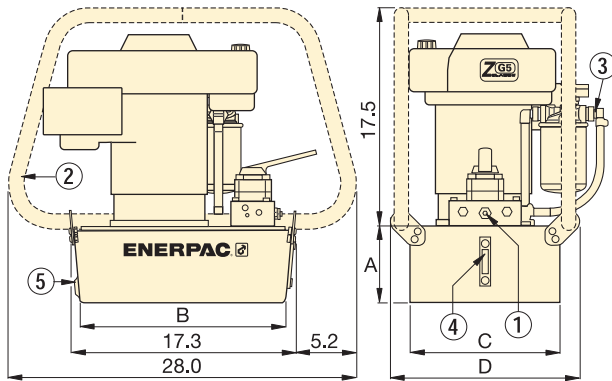
▼ SELECTION CHART

Used with Cylinder	Usable Oil Capacity (gal)	Valve Model Number	Valve Function	Model Number	Motor Manufacturer*	Motor Size (hp)	Weight (lbs)
Single-Acting	2.5	VM33	Advance/ Hold/ Retract	ZG5310MX-R	Honda®	5.5	113.6
	5.0			ZG5320MX-R			140.9
Double-Acting	2.5	VM43		ZG5410MX-R			113.6
	5.0			ZG5420MX-R			141.0
Single-Acting	2.5	VM33		ZG5310MX-BR	Briggs & Stratton®	6.5	111.0
	5.0			ZG5320MX-BR			138.3
Double-Acting	2.5	VM43		ZG5410MX-BR			111.1
	5.0			ZG5420MX-B			138.4
	10.0	VM43	ZG6440MX-BCFH		13.0	334.0	

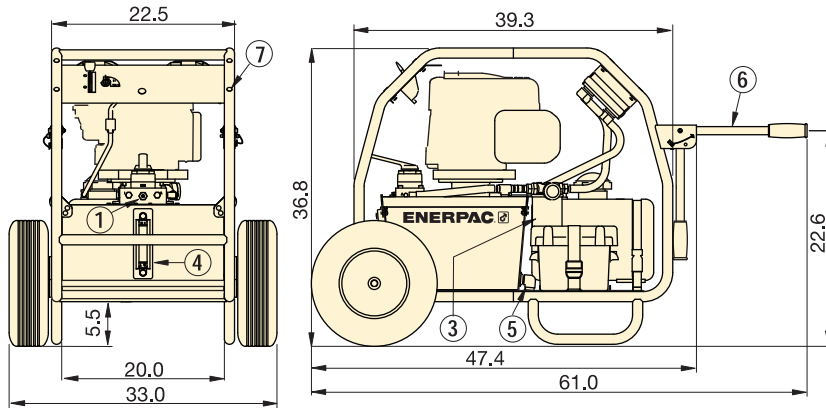
*To order Briggs & Stratton motor, place a "B" suffix in the model number.

Gasoline Hydraulic Pumps

ZG5



ZG6



- ① User adjustable relief valve on all manual valves. 3/8" NPTF on A and B ports; 1/4" NPTF on auxiliary ports.
- ② Roll Bar (optional)
- ③ Return Line Filter (optional on ZG5, Standard on ZG6)
- ④ Oil Level Gauge
- ⑤ Oil Drain
- ⑥ Collapsible handles (ZG6 only)
- ⑦ Cart (standard on ZG6 only)

ZG5/ ZG6 Series



Reservoir Capacity:
2.5-10 gal.

Flow at Rated Pressure:
100-200 in³/min.

Engine Size:
5.5, 6.5 and 13 hp

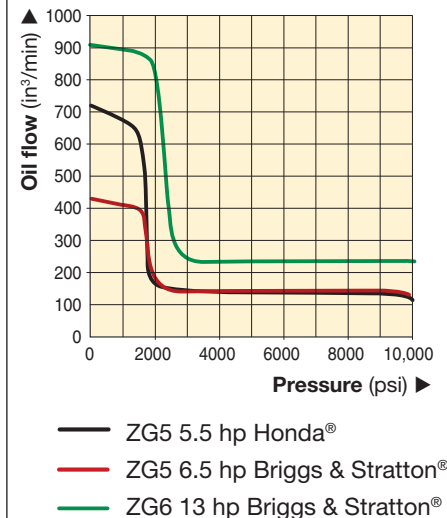
Maximum Operating Pressure:
10,000 psi



Other Options Available

Contact Enerpac for further information.

FLOW CHART



Motor Size		Output Flow Rate (in ³ /min)				Relief Valve Adjustment Range (psi)	Sound Level (dBA)
hp	RPM	100 psi	700 psi	5,000 psi	10,000 psi		
5.5	3600	700	650	110	100	1000 - 10,000	88 - 93
6.5	3600	400	380	110	100		91 - 95
13.0	3600	900	885	225	200		91 - 95

ZG5 Dimensions (in)				
Reservoir Size (gal)	A	B	C	D
2.5	6.1	16.5	12.0	15.1
5.0	7.1	16.3	16.6	19.7
10.0	10.6	15.7	19.9	22.7

ZG5/ZG6 Gas Hydraulic Pumps



ENERPAC

The Industrial Tools Line

Cylinders

- General Purpose
- Pancake
- Aluminum Lightweight
- Low Height
- Heavy-duty
- Hollow Plunger
- Industrial
- Pull
- Long Stroke
- Jacks
- Spread

Pumps

- Manual
- Electric Driven
- Compressed Air Driven
- Petrol Driven

System Components

- Hoses, Couplers, Oil
- Gauges, Adaptors
- Manifolds, Fittings

Valves

- 3- and 4-Way Directional
- Pressure and Flow Control

Presses

- Bench and Workshop
- Roll Frame Presses
- Arbor and C-Clamps

Pullers

- Master Pullers Sets
- Multi Purpose Puller Sets
- Posi Lock® Pullers

Tools

- Maintenance Sets
- Punches
- Machine Lifts
- Load Skates
- Cutters
- Pipe Benders

Bolting Tools

- Nut Splitters
- Flange/Wedge Spreaders
- Flange Alignment Tools
- Torque Wrenches
- Hydraulic Wrench Pumps
- Twin Safety Hoses

Integrated Hydraulic Solutions

- Synchronous Lifting and Weighing
- Heavy Lifting (Strand Jacking Systems)
- Concrete Stressing Products
- Hydraulic Construction Solutions
- Permanent Hydraulic Installations

Enerpac Worldwide Locations

Africa

ENERPAC Middle East FZE
Office 423, JAFZA 15
P.O. Box 18004
Jebel Ali, Dubai
United Arab Emirates
Tel:+971 (0)4 8872686
Fax:+971 (0)4 8872687

Australia, New Zealand

Actuant Australia Ltd.
Block V Unit 3
Regents Park Estate
391 Park Road
Regents Park NSW 2143
(P.O. Box 261) Australia
Tel:+61 297 438 988
Fax:+61 297 438 648

Brazil

Power Packer do Brasil Ltda.
Rua dos Inocentes, 587
04764-050 - Sao Paulo (SP)
Tel:+55 11 5687 2211
Fax:+55 11 5686 5583
Toll Free: 0800 891 5770
vendabrasil@enerpac.com

Canada

Actuant Canada Corporation
6615 Ordan Drive, Unit 14-15
Mississauga, Ontario L5T 1X2
Tel:+1 905 564 5749
Fax:+1 905 564 0305
Toll Free:
Tel: +1 800 268 4987
Fax:+1 800 461 2456
Technical Inquiries:
techservices@enerpac.com

China

Actuant Industries Co Ltd.
No. 6 Nanjing Road
Taicang Economic Dep Zone
Jiangsu, China
Tel:+86 0512 5328 7529
+86 0512 5328 7500 7529
Fax:+86 0512 5335 9690
Actuant China Ltd. (Beijing)
709B Diyang Building
Xin No. 2
Dong San Huan North Rd.
Beijing City, 100028 China
Tel: +86 10 845 36166
Fax:+86 10 845 36220

Japan

Applied Power Japan LTD KK
Besshocho 85-7
Kita-ku, Saitama-shi 331-0821
Japan
Tel:+81 48 662 4911
Fax:+81 48 662 4955

France and Switzerland

ENERPAC Une division de ACTUANT
France S.A.
ZA de Courtaboeuf
32, avenue de la Baltique
91140 VILLEBON /YVETTE
France
Tel:+33 1 60 13 68 68
Fax:+33 1 69 20 37 50

Germany, Austria, Switzerland, Greece, Central and Eastern Europe

ENERPAC GmbH
P.O. Box 300113
D-40401 Düsseldorf
Willstätterstrasse 13
D-40549 Düsseldorf Germany
Tel:+49 211 471 490
Fax:+49 211 471 49 28

India

ENERPAC Hydraulics
(India) Pvt. Ltd.
No. 1A, Peenya Industrial Area,
IInd Phase,
Bangalore, 560 058
India
Tel:+91 80 40 792 777
Fax:+91 80 40 792 792

Italy

ENERPAC S.p.A.
Via Canova 4
20094 Corsico (Milano)
Tel:+39 02 4861 111
Fax:+39 02 4860 1288

Middle East, Turkey and Caspian Sea

ENERPAC Middle East FZE
Office 423, JAFZA 15
P.O. Box 18004
Jebel Ali, Dubai
United Arab Emirates
Tel:+971 (0)4 8872686
Fax:+971 (0)4 8872687

Russia and CIS (excl. Caspian Sea Countries)

Actuant LLC
Admiral Makarov Street 8
125212 Moscow
Russia
Tel:+7-495-9809091
Fax:+7-495-9809092

Scandinavia

Enerpac Scandinavia AB
Fabriksgatan 7
41250 Gothenburg
Sweden
Tel:+46 31 7990281
Fax:+46 31 7990010

Singapore

Actuant Asia Pte Ltd.
37C, Benoi Road Pioneer Lot,
Singapore 627796
Tel:+65 68 63 0611
Fax:+65 64 84 5669
Toll Free:
Tel: +1800 363 7722
Technical Inquiries:
techsupport@enerpac.com.sg

South Korea

Actuant Korea Ltd.
3Ba 717, Shihwa Industr. Complex
Jungwang-Dong, Shihung-Shi,
Kyunggi-Do
Republic of Korea 429-450
Tel:+82 31 434 4506
Fax:+82 31 434 4507

Spain and Portugal

ENERPAC SPAIN, S.L.
Avda. Los Frailes 40 - Nave C & D
Pol. Ind. Los Frailes
28814 Daganzo de Arriba (Madrid)
Spain
Tel:+34 91 661 11 25
Fax:+34 91 661 47 89

The Netherlands, Belgium, Luxembourg, Denmark, Norway, Finland, Baltic States

ENERPAC B.V.
Galvanistraat 115, 6716 AE Ede
P.O. Box 8097, 6710 AB Ede
The Netherlands
Tel:+31 318 535 911
Fax:+31 318 525 613
+31 318 535 848
Technical Inquiries Europe:
techsupport.europe@enerpac.com
ENERPAC
Daalakkerweg 24
6041 BL Roermond
P.O. Box 49, 6040 AA, Roermond
The Netherlands
Tel:+31 475 355 000
Fax:+31 475 331 774

United Kingdom and Ireland

ENERPAC Ltd.,
Bentley Road South
Darlaston, West Midlands
WS10 8LQ, England
Tel:+44 (0)121 50 50 787
Fax:+44 (0)121 50 50 799

USA, Latin America and Caribbean

ENERPAC
P.O. Box 3241
6100 N. Baker Road
Milwaukee, WI 53209 USA
Tel:+1 262 781 6600
Fax:+1 262 783 9562
User inquiries:
+1 800 433 2766
Distributor inquiries/orders:
+1 800 558 0530
Technical Inquiries:
techservices@enerpac.com
ENERPAC
704 W. Simonds
Dallas, TX 75159, USA
Tel: +1 972 287 2390
Fax:+1 972 287 4469

102808

e-mail: info@enerpac.com
Internet: www.enerpac.com

Your Enerpac Distributor: